

**ERSATZTEILKATALOG**  
**CATALOGUE DE PIÈCES DE RECHANGE**  
**SPARE PARTS CATALOGUE**



**R754 EU6-A.22A**  
**Multicar-Hako**  
**M29/CM2200**



März 2019

# Motorbaugruppe

## Product configuration card

**Serial number** 60D03955

**Engine model** R754EU6.22A

**Description** ENGINE R754EU6.22A MULTICAR-HAKO M29/ CM2200

<b>Code</b>	<b>Article</b>
<a href="#">BAS0190</a>	BASAMENTO(+PDF-MAS.+SCANSO+ DEPRESSORE)
<a href="#">APA0181</a>	APPL.ALTERN.MICOxDEPRESSORE
<a href="#">ALC0030</a>	ALBERO A CAMME
<a href="#">GRV0007</a>	LIBRETTI E TARGHETTE
<a href="#">MPO0012</a>	POMPA OLIO
<a href="#">CAM0067</a>	CAMPANA SAE5 MOT.LATO P.I.
<a href="#">VOL0058</a>	VOLANO SAE5
<a href="#">CFP0112</a>	COMPONENTI FORNITI A PARTE
<a href="#">COD0027</a>	COPERCHIO ANTERIORE X PDF
<a href="#">COL0080</a>	COPPA OLIO-MASSE+OLIO
<a href="#">TEN0024</a>	APPLICAZIONE GIRO CINGHIA HL
<a href="#">IMB0013</a>	GRUPPO IMBALLO MOTORE PALLET MM 1100X700
<a href="#">CEC0066</a>	CENTRALINA CALIBRATA APPL. RICHIESTA GIRI VIA CAN
<a href="#">COB0095</a>	COPERCHIO BIL.+SEPARATORE
<a href="#">PAL0024</a>	PREDISP.ANT.POMPE GRUPPO 2P
<a href="#">SCO0042</a>	SCAMBIATORE OLIO
<a href="#">MPA0045</a>	POMPA ACQUA
<a href="#">ARC0023</a>	APPLICAZIONE RISCAL.CABINA
<a href="#">PTU0136</a>	TURBO LATERALE
<a href="#">PAV0103</a>	PULEGGIA POMPA ACQUA D.132
<a href="#">PAV0121</a>	PULEGGIA ALB.MOTORE D.150
<a href="#">CFO0011</a>	CARTUCCIA FILTRO OLIO
<a href="#">TES0022</a>	TESTA BILANCIERI 4 CILINDRI
<a href="#">DAP0036</a>	2+2 STAFFE TRASP.MOTORE
<a href="#">RIN0006</a>	RAIL INIEZIONE GASOLIO
<a href="#">GOL0007</a>	GOLFARE POSTERIORE
<a href="#">VTE0061</a>	VALVOLA TERMOSTATICA SX
<a href="#">SEN0007</a>	SERBATOIO UREA
<a href="#">CAB0027</a>	CABLAGGIO MOTORE 12V
<a href="#">AVE0127</a>	AVVIAMENTO ELETTRICO 12V
<a href="#">EGR0014</a>	SISTEMA EGR ANTERIORE
<a href="#">CIL0004</a>	CILINDRO-IMBIELLAGGIO
<a href="#">MAN0001</a>	MANICOTTI COLLEGAMENTO DI SCARICO
<a href="#">ALO0027</a>	ASTA LIVELLO OLIO
<a href="#">MAR0024</a>	SISTEMA DI POST TRATT.GAS

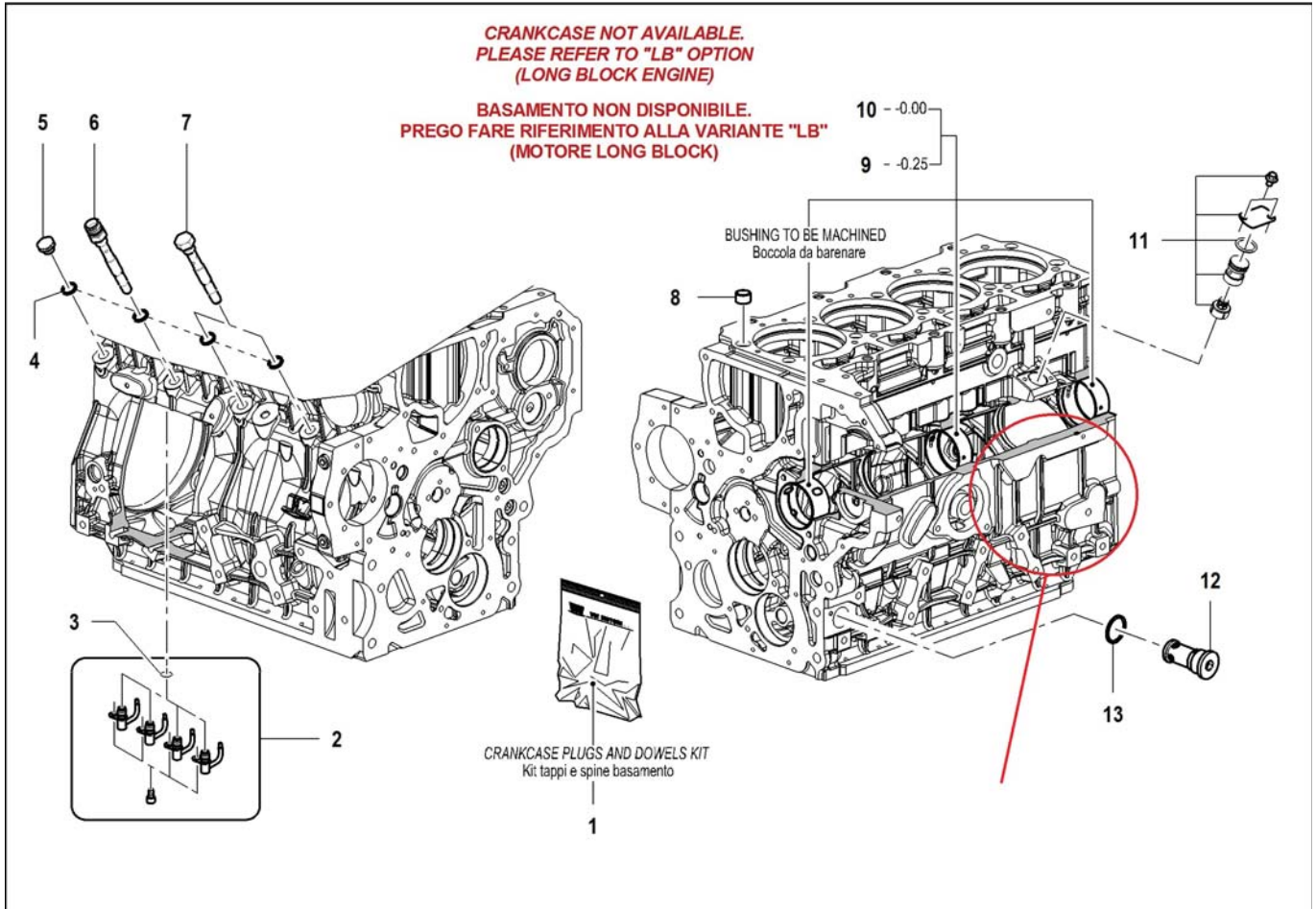












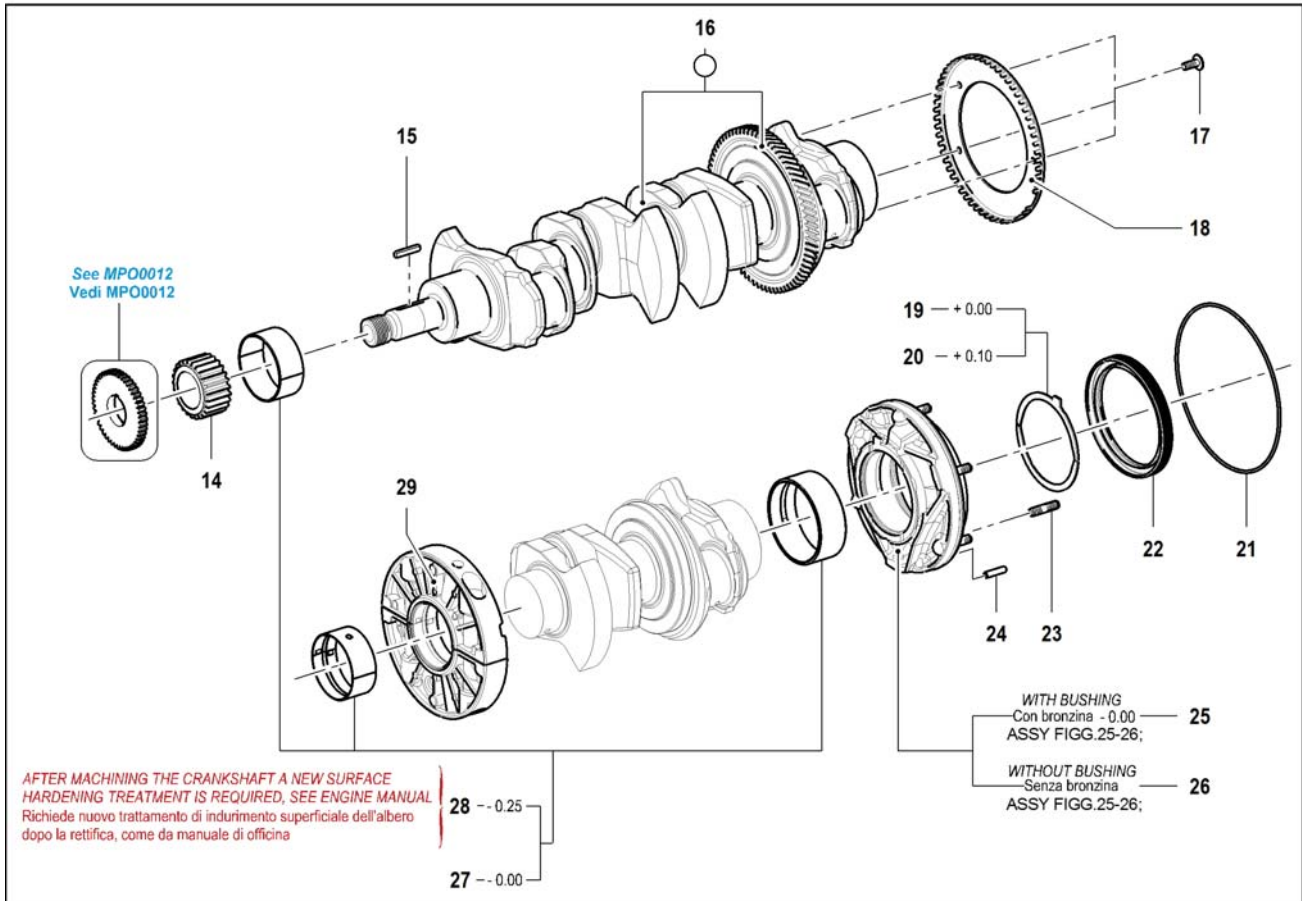
Description: CRANKCASE

Last variation:  
24/10/2017 08:51:03

Elenco Articoli

Pos	Description	Part Number	Qty	Pos	Description	Part Number	Qty
001	CILINDER PLUG KIT	13002479F	1				
002	OIL JET VALVE KIT	11382018F	1				
003	O-RING	46320248F	4				
004	GASKET	42020014A	4				
005	CAP	21770003A	1				
006	BANJO ADAPTOR BOLT	21320039A	1				
007	BANJO ADAPTOR BOLT	21320036A	2				
008	PIN	21842071F	2				
009	CAMSHAFT BUSHING KIT	10302038F	1				
010	CAMSHAFT BUSHING KIT	10302037F	1				
011	OIL VALVE ASSY	13002746F	1				
012	MAX PRESSURE OIL VALVE	11382027F	1				
013	GASKET	42020027A	1				
014	DRIVE CRANKSH.TIMING GEAR	20662153F	1				
015	KEY CRANKSHAFT A5X5X32 UNI6604	41830042F	1				
016	CRANKSHAFT ASSY	20172139G	1				
017	BOLT TBFEI M6X15	41762021F	3				
018	RING GEAR	20662144F	1				
019	CRANCKSHAFT THRUST WASHER	21652015F	1				
020	THRUST WASHER-CRANKSHAFT+0,10	21652016F	1				
021	O-RING	46320270F	1				
022	OIL SEAL REAR 100X120X12	46340869F	1				
023	STUD	41752007F	6				
024	ELASTIC PIN 6X24 DIN7343	46290208F	1				
025	SHAFT BRACKET ASSY	10522033G	1				
026	SHAFT BRACKET	10522034G	1				
027	CRANKSHAFT BUSHING KIT	10302039F	1				
028	CRANKSHAFT BUSHING KIT	10302040F	1				
029	SHAFT BRACKET	10522032G	3				





Description: CRANKCASE	Last variation: 24/10/2017 08:51:03
------------------------	----------------------------------------

Elenco Articoli

Pos	Description	Part Number	Qty	Pos	Description	Part Number	Qty
001	CILINDER PLUG KIT	13002479F	1				
002	OIL JET VALVE KIT	11382018F	1				
003	O.RING	46320248F	4				
004	GASKET	42020014A	4				
005	CAP	21770003A	1				
006	BANJO ADAPTOR BOLT	21320039A	1				
007	BANJO ADAPTOR BOLT	21320036A	2				
008	PIN	21842071F	2				
009	CAMSHAFT BUSHING KIT	10302038F	1				
010	CAMSHAFT BUSHING KIT	10302037F	1				
011	OIL VALVE ASSY	13002746F	1				
012	MAX PRESSURE OIL VALVE	11382027F	1				
013	GASKET	42020027A	1				
014	DRIVE CRANKSH.TIMING GEAR	20662153F	1				
015	KEY CRANKSHAFT A5X5X32 UNI6604	41830042F	1				
016	CRANKSHAFT ASSY	20172139G	1				
017	BOLT TBFEI M6X15	41762021F	3				
018	RING GEAR	20662144F	1				
019	CRANCKSHAFT THRUST WASHER	21652015F	1				
020	THRUST WASHER-CRANKSHAFT+0,10	21652016F	1				
021	O-RING	46320270F	1				
022	OIL SEAL REAR 100X120X12	46340869F	1				
023	STUD	41752007F	6				
024	ELASTIC PIN 6X24 DIN7343	46290208F	1				
025	SHAFT BRACKET ASSY	10522033G	1				
026	SHAFT BRACKET	10522034G	1				
027	CRANKSHAFT BUSHING KIT	10302039F	1				
028	CRANKSHAFT BUSHING KIT	10302040F	1				
029	SHAFT BRACKET	10522032G	3				











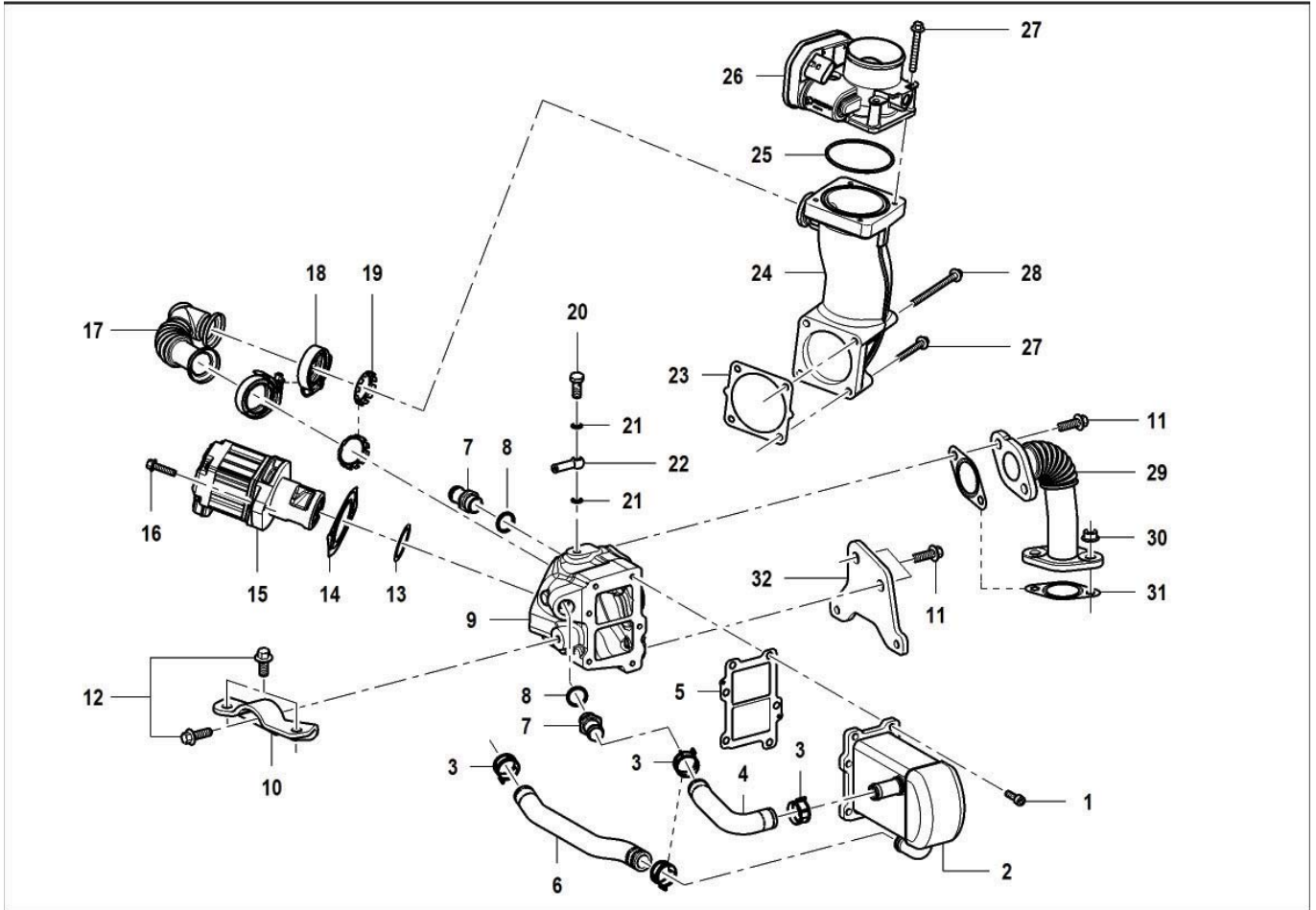












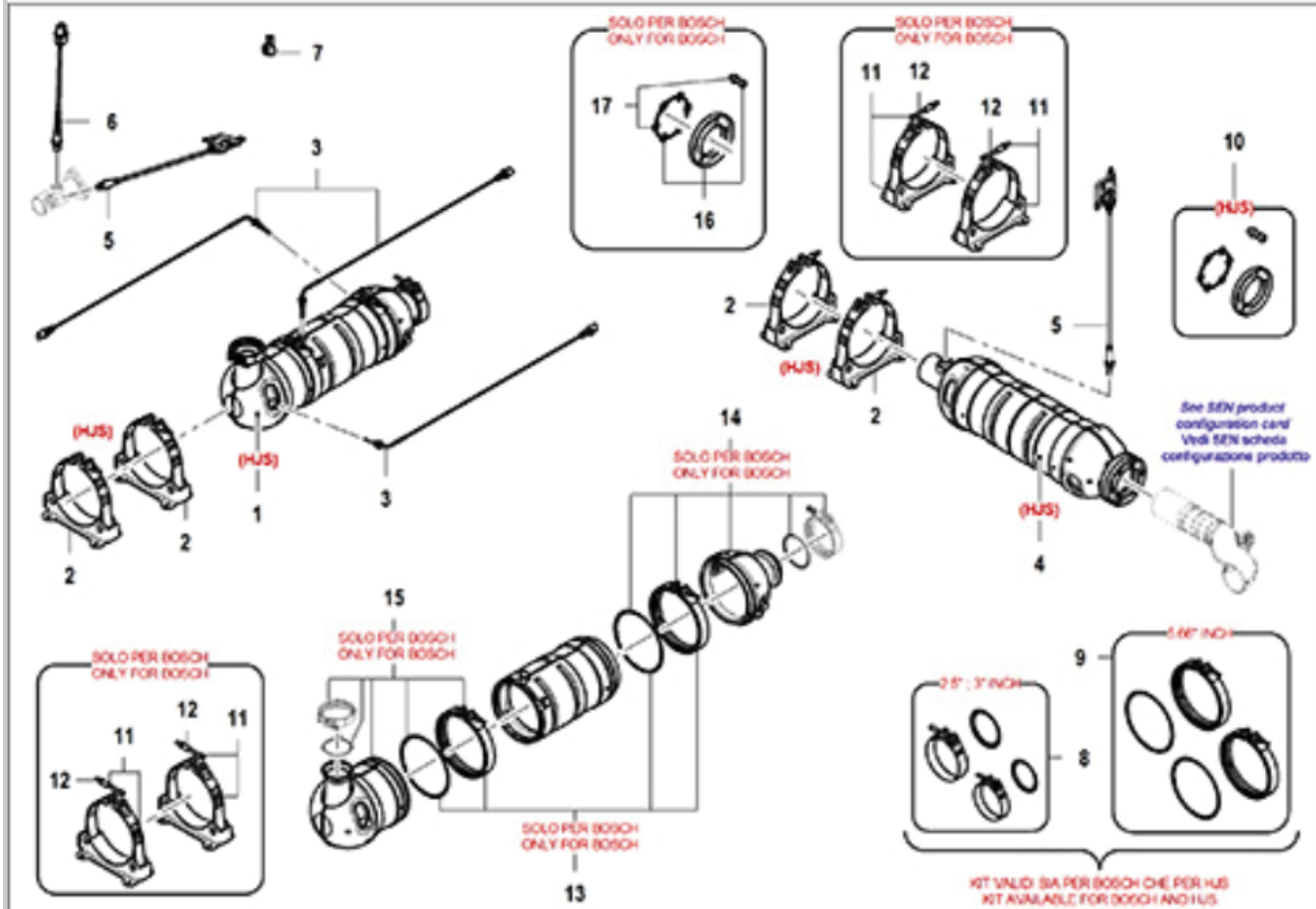
Description: FRONT EGR SYSTEM Last variation: 07/03/14  
16:06:03

Elenco Articoli

Pos	Description	Part Number	Qty	Pos	Description	Part Number	Qty
001	SCREW	41762025F	6	031	GASKET FOR EGR VALVE COOLER	22022123F	2
002	EGR COOLER	41212103G	1	032	EGR COOLER SUPPORT BRACKET	20513357F	1
003	CLAMP	41612113F	4				
004	PIPE	21303019F	1				
005	EGR COOLER GASKET	22022238F	1				
006	PIPE	21303018F	1				
007	UNION	21782266G	2				
008	GASKET	22020012A	2				
009	EGR COOLER SUPPORT ASSY	10512089F	1				
010	EGR COOLER SUPPORT BRACKET	20513356F	1				
011	SCREW	41901307F	4				
012	SCREW	41901306F	3				
013	GASKET	22022277F	1				
014	EGR GASKET	42022016F	1				
015	EGR VALVE	49002029F	1				
016	SCREW	41901207F	2				
017	PIPE	21283036F	1				
018	CLAMP	41612154F	2				
019	EGR GASKET	22022172F	2				
020	BANJO BOLT	21320025A	1				
021	GASKET	42020008A	2				
022	BANJO-AIR BLEED	21332001A	1				
023	INTAKE THROTTLE GASKET	22032286F	1				
024	AIR INTAKE MANIFOLD	21092322F	1				
025	O RING	46320277F	1				
026	INTAKE TROTTLER	39002017G	1				
027	SCREW	41901212F	6				
028	SCREW	21902012F	2				
029	PIPE	21283035F	1				
030	FLANGED NUT M8	41880208F	2				







**MAR0024 CATALYST SOOT FILTER**

Pos	Des	Part Number	Qty.
001	DOC/DPF IN 90° OUT 0°	11062070F	1
002	CLAMP CPL.BRACKET SUPPORT	41612281F	4
003	EXHAUST GAS TEMP.SENSOR	45962096G	3
004	SCR EU6 HJS	11062075F	1
005	SENSOR	45962133F	2
006	LAMBDA SENSOR	45962123F	1
007	PRESSURE	45962080F	1
008	CLAMP WHIT GASKET ASSY 3	11612032F	1
009	CLAMP WHIT GASKET ASSY 5.66	11612031F	1
010	FLANGE ASSY	11082002F	1
011	DOC/DPF SCR HOLDER	41612250F	4
012	SCREW AND NUT	11762003F	4
013	CLAMP	11612026F	1
014	OUTLET CONE AND CLAMPS CPL	11062057F	1
015	DOC AND CLAMPS WITH GASKET	11062055F	1
016	FLANGE ASSY	11082001F	1
017	GASKET WITH SCREWS	12032349F	1
Pos	Des	Part Number	Qty.



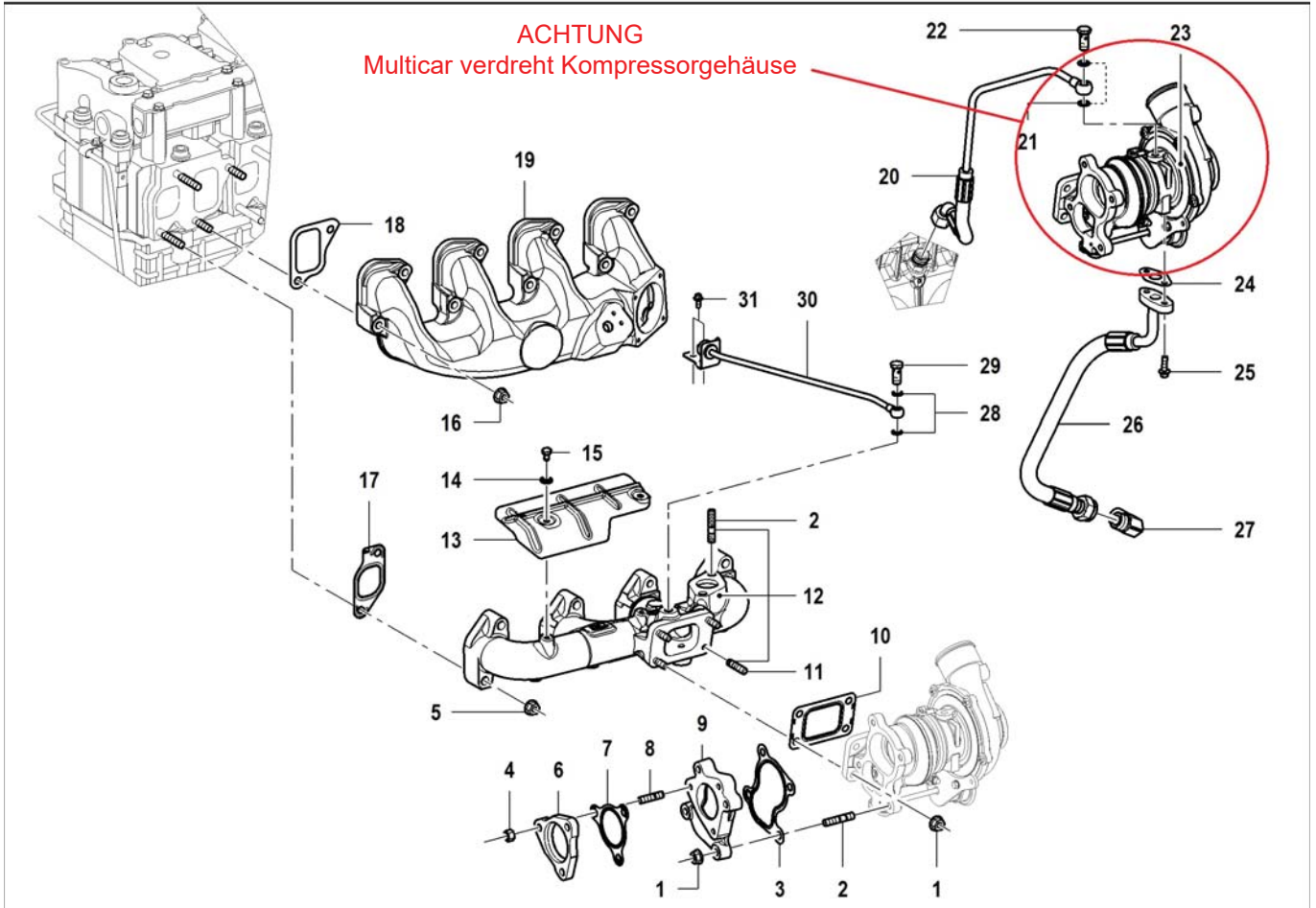










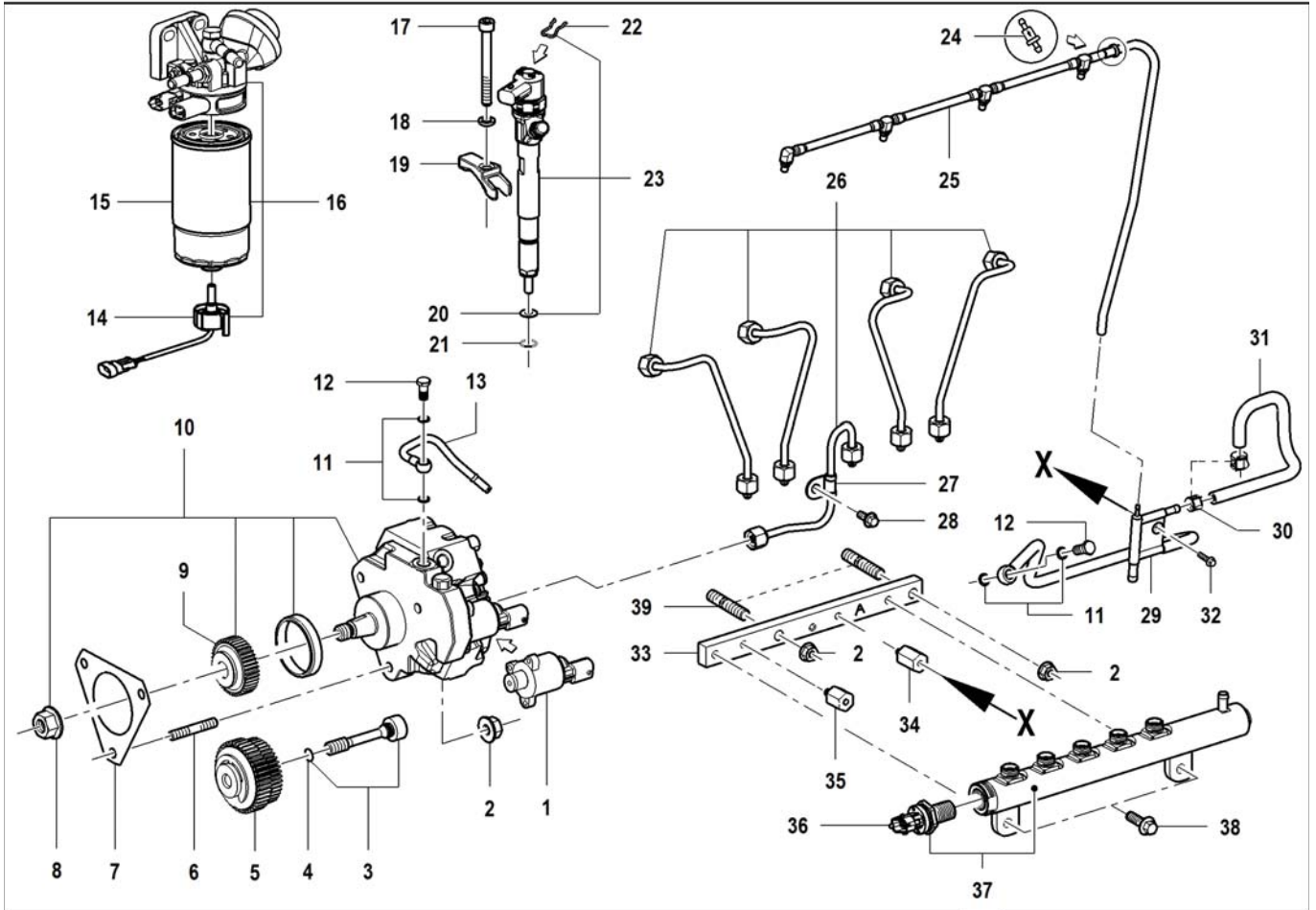


Description: TURBOCHARGER

 Last variation: 17/09/14  
 08:19:44

**Elenco Articoli**

Pos	Description	Part Number	Qty	Pos	Description	Part Number	Qty
001	FLANGED NUT M8	41880208F	8	031	SCREW	41901204F	2
002	STUD	41750910F	6				
003	GASKET	22022181F	1				
004	NUT	21792027F	3				
005	FLANGED NUT M8	46210130F	8				
006	EXHAUST TURBO FLANGE	21082028F	1				
007	GASKET - TURBO OUTLET	22022104F	1				
008	STUD	41752008F	3				
009	EXHAUST TURBO FLANGE	20732101F	1				
010	GASKET TURBO HR	22022027A	1				
011	STUD M8X20	41750906F	4				
012	EXHAUST MANIFOLD ASSY	11052063F	1				
013	EXHAUST MANIFOLD HEAT	22082234F	1				
014	O RING	46320038A	2				
015	SCREW	41762007A	2				
016	NUT	41880308F	8				
017	GASKET	22032114F	4				
018	INTAKE MANIFOLD GASKET	22022198F	4				
019	INTAKE MANIFOLD	21042114F	1				
020	PIPE	21303023F	1				
021	GASKET	42020010A	2				
022	MAIN BEARING OIL FEED TURBO	21322022F	1				
023	TURBOCHARGER	35242133H	1				
024	WASHER ADAPTOR OIL RETURN PIPE	22032141G	1				
025	SCREW	41901206F	1				
026	PIPE	21302909F	1				
027	UNION	21782045A	1				
028	INOX WASHER GASKET	22022281F	2				
029	UNION SCREW	41320132F	1				
030	P3 SENSOR PIPE	21283100F	1				



Description: FUEL INJECTION CIRCUIT

Last variation: 23/10/13  
15:25:22

Elenco Articoli

Pos	Description	Part Number	Qty	Pos	Description	Part Number	Qty
001	VALVE	45022054F	1	031	FUEL REFUSE PIPE	21302828F	1
002	NUT	41880308F	5	032	SCREW	41901206F	1
003	SCREW ASSY	11762002F	1	033	RAIL SUPPORT BRACKET	20513177F	1
004	OR	46320548A	1	034	FIXING FUEL REFUSE BLOCK	21632282F	1
005	INJECTION PUMP GEAR ASSY	10662019G	1	035	SPACER	21632321F	1
006	STUD	41753006F	3	036	RAIL PRESSURE SENSOR	45962079F	1
007	INJECTION PUMP GASKET	22032299F	1	037	RAIL	35022107G	1
008	NUT	41880415F	1	038	SCREW	41901305F	1
009	INJECTION PUMP GEAR	20662180F	1	039	STUD	41753010F	2
010	INJECTION PUMP KIT	15022280F	1				
011	GASKET	42020012A	4				
012	UNION	41320112F	2				
013	SLEEVE FUEL WASTE FROM INJECTION PUMP	21332036F	1				
014	WIF SENSOR	45962100F	1				
015	FUEL FILTER ELEMENT	45312014F	1				
016	FUEL FILTER ASSEMBLY	35312036F	1				
017	SCREW	41762540F	4				
018	SPHERICAL WASHER	21812036F	4				
019	INJECTOR FIXING CLAMP	21362025F	4				
020	INJECTOR GASKET	45062027F	4				
021	O RING	46320267F	4				
022	INJECTOR SPRING REF.F00VC22003 BOSCH	45062028F	4				
023	INJECTOR	35062013F	4				
024	BACK PRESSURE VALVE	45212020F	1				
025	PIPE	31302040F	1				
026	FUEL INJECTION PIPE SET	11262008F	1				
027	CLAMP WITH RUBBER APA	41612156F	1				
028	SCREW	41901203F	1				
029	FUEL RETURN BODY ASSY	20112156F	1				
030	SPRINGBAND CLAMP	41612101F	2				















## Steckersätze R754EU6-A



### 3 300 2169 Steckersatz Fahrzeug R754EU6-A

- 1 Stk. 3 300 9902 Dieselttemp.
- 1 Stk. 3 300 9906 Diff. Druck Sensor DPF
- 1 Stk. 3 300 9907 OBD Diagnosestecker
- 1 Stk. 3 300 9911 Abgastemp. Sensor Auspuffkrümer
- 1 Stk. 3 300 9911 Abgastemp. Sensor DOC-IN
- 1 Stk. 3 300 9911 Abgastemp. Sensor DPF-IN
- 1 Stk. 3 300 9912 Wasser im Diesel
- 1 Stk. 3 300 9916 Drosselklappe (verbindung zu Motorkabelstrang)
- 1 Stk. 3 300 9917 Pedal
- 1 Stk. 3 300 9921 EGR (verbindung(satz) zu Motor-Kunden Kabelstrang)
- 1 Stk. 3 300 9929 ECU 94-polig
- 1 Stk. 3 300 9930 Dieselheizung
- 1 Stk. 3 300 9931 Abgasdruck sensor (am kollektor)
- 1 Stk. 3 300 9932 Abgastemp. sensor EGR Kühler-OUT
- 1 Stk. 3 300 9933 Lambdasonde
- 1 Stk. 3 300 9934 Umgebungtemp. Sensor
- 1 Stk. 3 300 9936 SCR Can Bus
- 1 Stk. 3 300 9937 OBD Diagnosestecker MARINE
- 1 Stk. 3 300 2159 zu Alternator 38522319

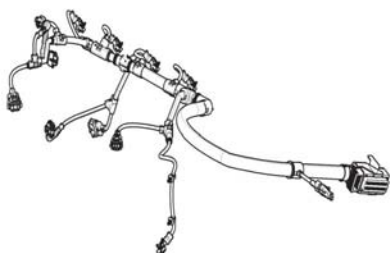


### 3 300 2182 Steckersatz SCR GEN3 R754 EU6-A

- 3 Stk. 3 300 9902 Heizung SCR Leitungen
- 1 Stk. 3 300 9911 Temp. Sensor PRE-SCR
- 1 Stk. 3 300 9912 SCR Niveau u. Temp. Sensor EU6
- 1 Stk. 3 300 9922 SCR Injektor
- 1 Stk. 3 300 9923 SCR CAN-Bus
- 1 Stk. 3 300 9924 SCR Pumpe (wird nicht mehr benötigt)
- 2 Stk. 3 300 9926 Nox Sensor DOC in, SCR out
- 1 Stk. 3 300 9927 Heizung AD-Blue Tank
- 1 Stk. 3 300 9938 SCR Gen3 "Deutsch"

### 1 885 2291 Motorkabelstrang R754EU6-A

- 1 Stk. 3 300 9928 zu Drosselklappe am Motor
- 1 Stk. 3 300 9944 zu EGR ventil am Motor
- 4 Stk. 3 300 9913 Einspritzdüsen
- 1 Stk. 3 300 9908 Rail Druck Sensor
- 1 Stk. 3 300 9906 NW Sensor
- 1 Stk. 3 300 9906 KW Sensor
- 1 Stk. 3 300 9913 Zulaufmengenventil
- 1 Stk. 3 300 9909 Ladedruck/temp. Sensor
- 1 Stk. 3 300 9916 Wassertemp. Sensor
- 1 Stk. 3 300 9920 Oeldruckschalter
- 1 Stk. 3 300 9904 Drosselklappe (verbindung zu Kunden kabelstrang)
- 1 Stk. 3 300 9921 EGR (verbindung zu Kunden kabelstrang)





**«Keine Ahnung wo dieser ganze Diesel her kommt...  
von den 2000 Litern fehlt kein Tropfen!»**